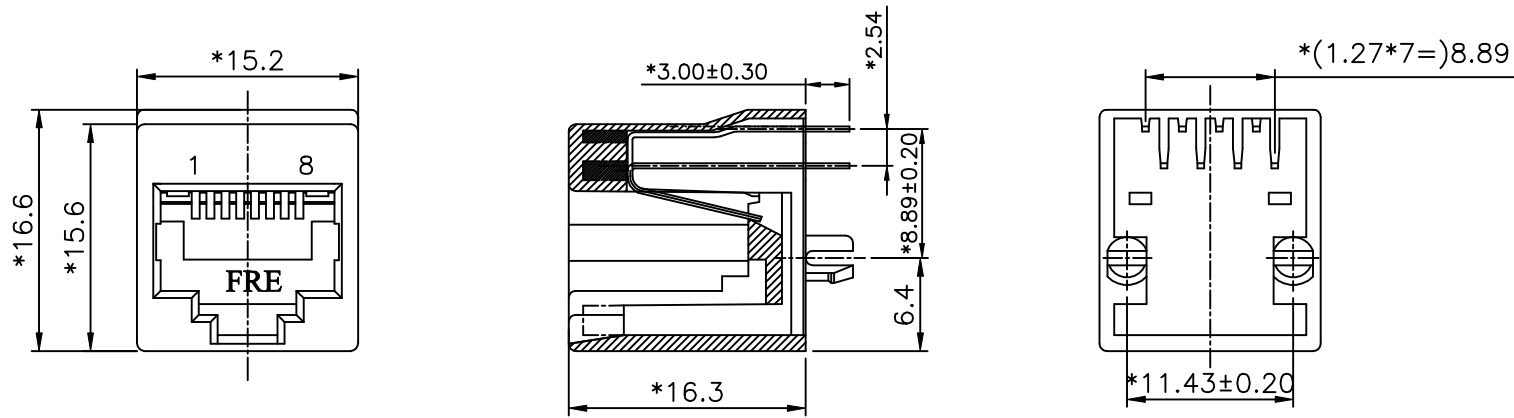


REVISION RECORD				
REV	ECO	DESCRIPTION	DRFT	CHKD
△		MODIFY DRAWING	ANKUE 12/14/05	



**NOTES:**

**ELECTRICAL:**

1. VOLTAGE RATING: 125 VAC RMS .
2. CURRENT RATING: 1.5 AMP .
3. CONTACT RESISTANCE: 30 MILLIOHMS MAX.
4. INSULATION RESISTANCE: 1000 MEGOHMS MIN @ 500 VDC.
5. DIELECTRIC STRENGTH: 1000 VAC RMS 60Hz, 1MIN.

**MECHANICAL:**

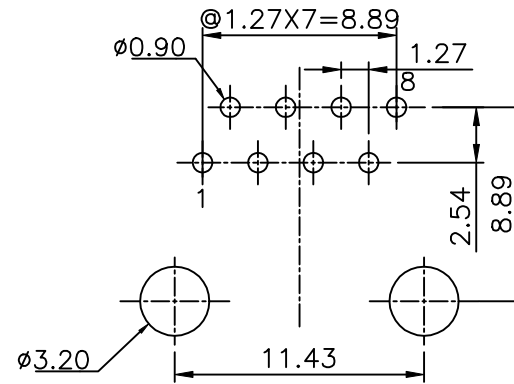
1. HOUSING MATERIAL: FR52 UL94V-0.  
HOUSING COLOR: BLACK
2. CONTACT MATERIAL: PHOSPHOR BRONZ t=0.35mm.
3. PLATING: GOLD PLATING OVER NICKEL.
4. OPERATING LIFE: 750 CYCLES MIN.
5. PCB RETENTION PRE-SOLDER: 1 LB MIN.
6. PCB RETENTION POST-SOLDER: 10 LBS MIN.

**ENVIRONMENTAL:**

1. STORAGE: -40°C TO +85°C.
  - △ 2. OPERATION: -40°C TO +85°C.
  - △ 3. WAVE SOLDER TEMPERATURE: 255-265°C.(5~10 SECONDS)
- MATES WITH MODULAR PLUG CONFORMING TO  
FCC PART 68, SUBPART F.

△ RoHS PART NUMBER: E5288-YX0BQX-L

N--W/ FRE LOGO      1--3U" 2--6U" 3--15U"  
P--W/0 LOGO        4--30U" 5--50U"



PC Board Layout  
Component Side Shown

DETACHED LISTS	MM (INCH)	DFTO ANKUE	DATE 08/31/05	FULL RISE ELECTRONIC CO., LTD	
	TOLERANCES EXCEPT AS NOTED	CHKD JAMYIN	DATE 2005/12/14		
	MM	MFO	DATE	TITLE TOP ENTRY PCB JACK	
	.0 ±0.20	APPVLLUSHENG	DATE 2005/12/14		
.00 ±0.15	MATERIAL :	QT'Y :	DRAWING NO. GE523048-LA	SIZE	REV
.000 ±0.075	ANGLES ±	FINISH :	/PART NO. SEE NOTE	A3	1
THIRD ANGLE PROJECTION	SCALE :	DO NOT SCALE DRAWING	SHEET X	OF Y	